



Compression sprayer with 3,5 et 5 litre useful capacity respectively with a handle integrated into the tank design. Sprayer suitable for use in medium gardens (Berry 7) and small and medium gardens (Berry 5).



Advantages

- Safe and no overpressure risk thanks to the safety valve.
- The handle makes filling and transportation easy.
- Translucent tank to see the liquid level.
- Complete use of the liquid thanks to the lower hose connection.
- Suitable for application of products of natural origin (pelargonica, acetic, etc...).



Functional information



Safety valve.
Automatic release of
excess pressure



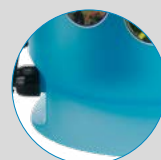
Transport handle



Fibreglass lance



Lance fixers and hose
for easy transport



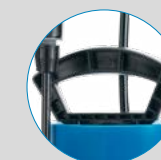
Translucent tank to
view the liquid level



Hose connections to
the lance and to the
tank by thread without
clamps or fittings



Low-effort ergonomic
handle



Operation handle



Wide, sturdy,
adjustable shoulder
strap

Technical information

Technical information	BERRY 5	BERRY 7
VALVE	YES	
HOSE	1.3m PVC	
STANDARD NOZZLES	Adjustable conical	
LANCE	Fibreglass	
USEFUL CAPACITY	3.5 L	5 L
TOTAL CAPACITY	5 L	7 L
LITRES/MIN. 1,5 BAR	0.43 l/m	
LITRES/MIN. 3 BAR	0.60 l/m	
NET WEIGHT	1.20 Kg	1.26 Kg
WIDE FILLER OPENING	YES	
TRANSLUCENT LEVEL INDICATOR	YES	
STANDARD ACCESSORIES	NO	
LANCE AND EXTENSIONS	Lance	
STRAPS	Adjustable	
PRESSURE REGULATOR	NO	

Logistics data

Logistics data	BERRY 5	BERRY 7
CODE	8.18.45	8.18.47
EAN	84.14685.10143.3	84.14685.10144.0
CONDITIONING	4 units	
UNITS PER PALLET	48 units	
DIMENSIONS PER PALLET	1200 X 800 X 1100	

MAINTENANCE KITS



PP MAINTENANCE KIT
Reference 8.38.05.870
Keep your sprayer at peak performance. Designed for 5-9 L sprayers.

ROUND SEAL AN-5 No. 136	2.23.15.905	
RETAINER CLAMP No. 164	8.39.02.314	
ROUND SEAL AN-30 No. 159	2.23.15.930	
CHAMBER VALVE No. 165	8.38.05.314.1	



ACCESSORIES

Personalize your sprayer adapting it to your application needs (height, hard-to-reach areas...)



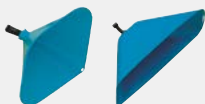
3.2 M TELESCOPIC LANCE
Reference 8.35.40.913
5.4 M TELESCOPIC LANCE
Reference 8.35.40.915



DOUBLE ADJUSTABLE NOZZLE
Reference 8.34.46.802



4-HOLE NOZZLE
Reference 8.34.46.801



CONICAL HOOD
Reference 8.34.40.870
RECTANGULAR HOOD
Reference 8.34.40.871



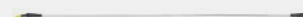
NORMAL WEED-KILLERS ELBOW
Reference 8.34.60.934



LOW-VOLUME WEED-KILLERS ELBOW
Reference 8.34.60.935



NOZZLE SET
Reference 8.34.46.870



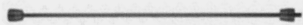
1 M ALUMINIUM LANCE TUBE WITH COMPLETE ELBOW
Reference 8.34.60.871
1.5 M ALUMINIUM LANCE TUBE WITH COMPLETE ELBOW
Reference 8.34.60.872



EXTENDIBLE DOUBLE NOZZLE
Reference 8.35.40.872



TELESCOPIC EXTENSION
Reference 8.35.40.876



EXTENSION 0.5M
Reference 8.35.40.870



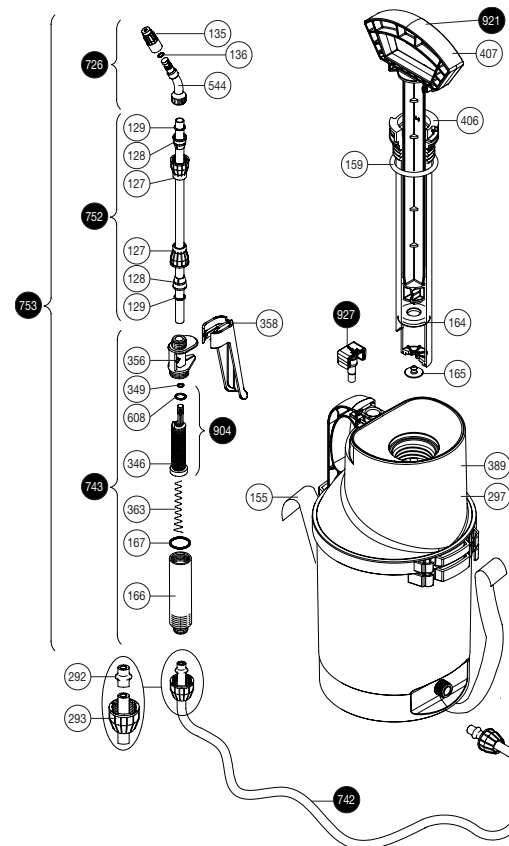
1.5 M FIBREGLASS LANCE TUBE WITH COMPLETE ELBOW
Reference 8.34.60.873
1.5 M FIBREGLASS LANCE TUBE WITH COMPLETE ELBOW
Reference 8.34.60.874



FLEXIBLE DOUBLE NOZZLE
Reference 8.35.40.871

SPARE PARTS

Extend the service life of your sprayer easily replacing parts.



N.	COD.	Q	SPARE PARTS NAME
127	8.38.12.323	2	CONE NUT
128	8.38.12.324	2	Ø 8 CONE
129	2.23.99.910	2	ROUND GASKET Ø 7,5
135	8.39.02.323	1	NOZZLE Ø 1
136	2.23.15.905	1	ROUND GASKET AN-5
155	8.38.12.420	1	STRAP
159	2.23.15.930	1	ROUND GASKET AN-30
164	8.39.02.314	1	COLLAR SEAL
165	8.38.05.314.1	1	CHAMBER VALVE
166	8.39.18.367	1	GRIP
167	2.23.15.914	1	ROUND GASKET AN-14
292	8.38.08.328	2	HOSE BUSHING
293	8.38.12.312	2	NUT
297	8.18.45.801	1	BERRY 5 TANK
346	8.39.47.365	1	LANCE FILTER
349	2.23.16.903	1	ROUND GASKET AN-3
356	8.39.46.366	1	HANDLE BODY
358	8.39.46.368	1	BLACK GRIP
363	8.39.41.342	1	SPRING LANCE
389	8.18.47.801	1	BERRY 7 TANK
406	8.38.46.303	1	CHAMBER
407	8.38.46.308	1	HANDLE
544	8.28.40.322	1	SPRAYER
608	2.23.16.906	1	ROUND GASKET AN-6
726	8.38.08.803	1	ELBOW WITH NOZZLE
742	8.38.05.805	1	COMPLETE HOSE
743	8.38.08.801	1	COMPLETE HANDLE
752	8.38.45.803	1	TUBE WITH NUTS
753	8.38.45.804	1	COMPLETE LANCE
904	8.39.47.811	1	FILTER WITH GASKET
921	8.38.46.601	1	COMPLETE CYLINDER
927	8.18.47.806	1	SAFETY VALVE
	8.18.47.200	1	INSTRUCTION SHEET
	8.18.45.201	1	BERRY 5 PACKAGING
	8.18.47.201	1	BERRY 7 PACKAGING