



A highly versatile compression sprayer with 5 litre useful capacity for the effective application of specific treatments in DIY and maintenance jobs. Specifically designed for car cleaning, wood protection, roof cleaning and wallpaper removal.



Advantages

- Specific equipment for DIY jobs, wood protection, roof cleaning, wallpaper removal...
- Safe and no overpressure risk thanks to the safety valve.
- The handle makes filling and transportation easy.
- Translucent tank to see the liquid level.
- Complete use of the liquid thanks to the lower hose connection.



Functional information

Hose connections to the lance and to the tank by thread without clamps or fittings	Low-effort ergonomic handle	Operation handle. Easy to use	Flexible tube to reach hard-to-reach areas	Wide filler opening	Safety valve. Automatic release of excess pressure	Transport handle	42 cm extension to reach remote areas or areas of difficult access	Translucent tank to view the liquid level	2 interchangeable nozzles depending on the application	Wide, sturdy and adjustable shoulder strap	Fibreglass lance

Technical information

Technical information	BRICOLAGE-DIY 7
VALVE	YES
HOSE	1.3m PVC
STANDARD NOZZLES	Adjustable conical
LANCE	Fibreglass
USEFUL CAPACITY	5 L
TOTAL CAPACITY	7 L
LITRES/MIN. 1,5 BAR	0.43 l/m
LITRES/MIN. 3 BAR	0.6 l/m
GROSS WEIGHT	1.69 Kg
NET WEIGHT	1.37 Kg
WIDE FILLER OPENING	YES
TRANSLUCENT LEVEL INDICATOR	YES
STANDARD ACCESSORIES	0.42m extension, 0.25m flexible tube and fan and disc nozzle
LANCE AND EXTENSIONS	Lance
STRAPS	Adjustable
PRESSURE REGULATOR	NO

Logistics data

Logistics data	BRICOLAGE-DIY 7
CODE	8.18.44
EAN	84.14685.10215.7
CONDITIONING	4 units
UNITS PER PALLET	48 units
DIMENSIONS PER PALLET	1200 x 800 x 1100

MAINTENANCE KITS



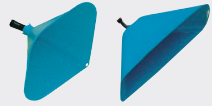
PP MAINTENANCE KIT
Reference 8.38.05.870
Keep your sprayer at peak performance. Designed for 5-9 L sprayers.

ROUND SEAL AN-5 No. 136	2.23.15.905	
RETAINER CLAMP No. 164	8.39.02.314	
ROUND SEAL AN-30 No. 159	2.23.15.930	
CHAMBER VALVE No. 165	8.38.05.314.1	



ACCESSORIES

Personalize your sprayer adapting it to your application needs (height, hard-to-reach areas...)



CONICAL HOOD

Reference 8.34.40.870

RECTANGULAR HOOD

Reference 8.34.40.871



NOZZLE SET

Reference 8.34.46.870



NORMAL WEED-KILLERS ELBOW

Reference 8.34.60.934



LOW-VOLUME WEED-KILLERS ELBOW

Reference 8.34.60.935



QUADRUPLE BOOM

Reference 8.34.60.870



0.25 M FLEXIBLE TUBE

Reference 8.34.60.937



COMPRESSION TELESCOPIC LANCE (+ADAPTER)

Reference 8.34.60.938



EXTENSION 0.5M

Reference 8.35.40.870



EXTENDIBLE DOUBLE NOZZLE

Reference 8.35.40.872

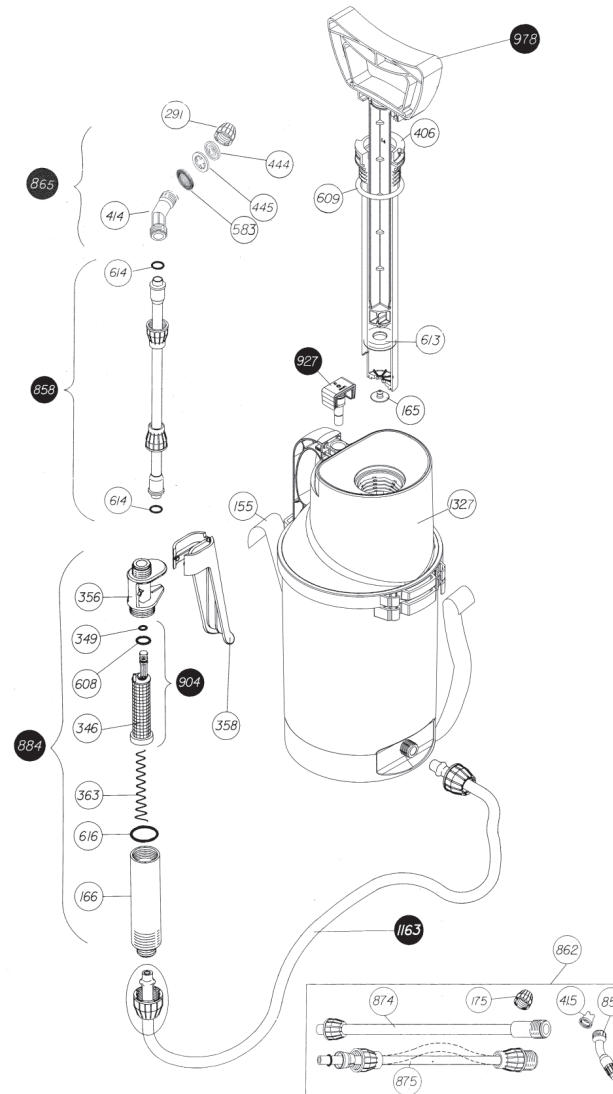


FLEXIBLE DOUBLE NOZZLE

Reference 8.35.40.871

SPARE PARTS

Extend the service life of your sprayer easily replacing parts.



N.	COD.	Q	SPARE PARTS NAME
155	8.38.12.420	1	STRAP
165	8.38.05.314.1	1	CHAMBER VALVE
166	8.39.18.367	1	GRIP
175	8.38.08.312	1	NUT
291	8.42.02.332	1	NUT
346	8.39.47.365	1	LANCE FILTER
349	2.23.16.903	1	ROUND GASKET AN-3
356	8.39.46.366	1	HANDLE BODY
358	8.39.46.368	1	BLACK GRIP
363	8.39.41.342	1	SPRING LANCE
406	8.38.46.303	1	CHAMBER
414	8.28.40.319	1	ELBOW
415	8.34.44.303	1	NOZZLE
444	8.34.42.302.1	1	COG
445	8.34.42.302.2	1	TWISTER
583	8.34.46.310	1	FILTER
608	2.23.16.906	1	ROUND GASKET AN-6
609	2.23.16.930	1	ROUND GASKET AN-30
613	8.38.11.314	1	COLLAR SEAL
614	2.23.16.908	2	ROUND GASKET Ø 8
616	2.23.16.914	1	ROUND GASKET AN-14
858	8.38.11.828	1	TUBE WITH NUTS
859	8.38.11.803	1	ELBOW WITH NOZZLE
862	8.38.77.811	1	BAG OF ACCESSORIES
865	8.34.42.802.2	1	ELBOW BEND WITH DISC
874	8.38.77.809	1	EXTENSION PIECE 0.42 M
875	8.38.77.810	1	FLEXIBLE TUBE
884	8.39.70.801	1	COMPLETE HANDLE
904	8.39.47.811	1	FILTER WITH GASKET
927	8.18.47.806	1	SAFETY VALVE
978	8.38.48.601.1	1	COMPLETE CYLINDER
1163	8.38.11.835	1	COMPLETE HOSE
1327	8.18.44.801	1	TANK
	8.18.44.200	1	INSTRUCTION SHEET
	8.18.44.201	1	PACKAGING