



Compression sprayer with 1 litre useful capacity.
Sprayer suitable for small gardens.



Advantages

- Greater stability thanks to the wide base.
- Ergonomic design with translucent tank.
- Integrated safety valve.
- Suitable for application of products of natural origin (pelargonicon, acetic, etc...).



Functional information



Adjustable conical nozzle



Integrated ergonomic trigger



Ergonomic grip



Integrated maximum pressurisation valve



Translucent tank to view the liquid level

Technical information

Technical information	BERRY 1,5
VALVE	YES
STANDARD NOZZLES	Adjustable conical
USEFUL CAPACITY	1 L
TOTAL CAPACITY	1.5 L
NET WEIGHT	0.33 Kg
TRANSLUCENT LEVEL INDICATOR	YES

Logistics data

Logistics data	BERRY 1,5
CODE	8.18.41
EAN	84.14685.10157.0
CONDITIONING	6 units
UNITS PER PALLET	90 units
DIMENSIONS PER PALLET	1200 X 800 X 990

MAINTENANCE KITS



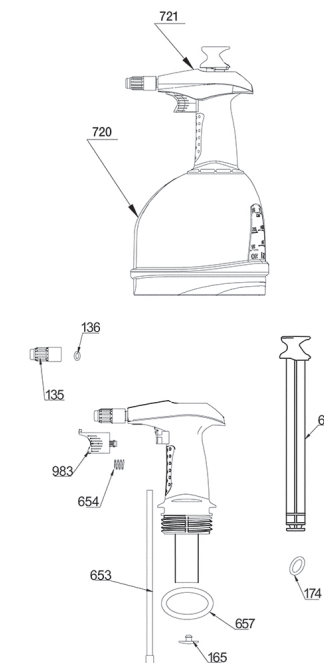
1.5 PP MAINTENANCE KIT

Reference 8.38.018.70
Keep your sprayer at peak performance. Designed for 1.5 L sprayers.

NOZZLE Ø1 No. 135	8.39.02.323	
ROUND SEAL AN-5 No. 136	2.23.15.905	
CHAMBER VALVE No. 165	8.38.05.314.1	
O-RING No. 657	2.23.99.132	

SPARE PARTS

Extend the service life of your sprayer easily replacing parts.



N.	COD.	Q	SPARE PARTS NAME
135	8.39.02.323	1	NOZZLE Ø 1
136	2.23.15.905	1	ROUND GASKET AN-5
165	8.38.05.314.1	1	CHAMBER VALVE
174	2.23.99.439	1	ROUND GASKET Ø 15
652	8.28.27.304	1	HANDLE
653	8.28.27.320	1	TUBE WITH FILTER
654	8.28.27.309	1	SPRING
657	2.23.99.132	1	ROUND GASKET
720	8.18.41.301	1	BERRY-1,5 TANK
721	8.18.41.801	1	COMPLETE BODY
983	8.28.27.803	1	TRIGGER WITH SEALS
	8.18.41.200	1	INSTRUCTION SHEET
	8.18.41.201	1	PACKAGING